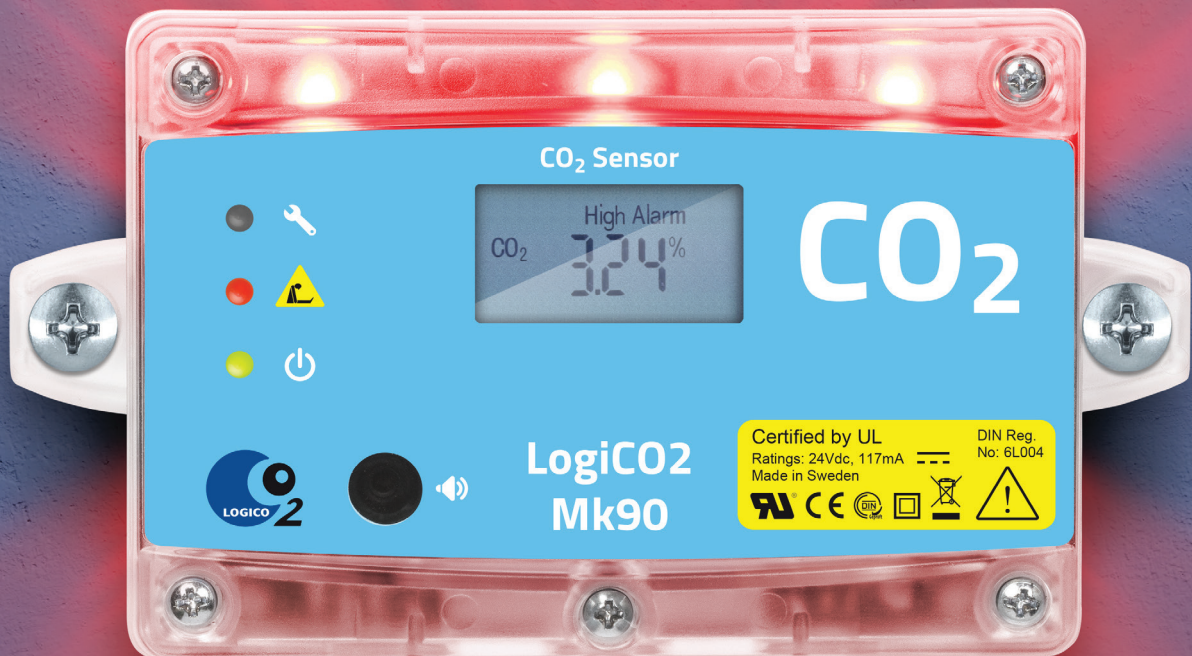


LogiCO2 Mk90

Stand-Alone CO2 Alarm System

CO2 Sensor, Warning Lamp and Horn - all in one Unit



A simple solution to a complicated problem



Mk90 Stand-Alone CO2 Alarm System

The LogiCO2 Mk90 is **the easiest and most cost effective way** to detect and alert of DANGEROUS CO2 leakages. It also inhibits lost revenue due to costly CO2 leaks. With easy installation, virtually zero maintenance and perfect functionality, the LogiCO2 Mk90 is the logical way of minimizing any CO2 risks for the working staff and customers 24/7!

The LogiCO2 Mk90 can be connected with remote Horn/Strobes as well as a remote Central Unit with digital display - advising you what to do in different ALARM situations! The LogiCO2 Mk90 comes bundled with a trade leading five year warranty.



Quick and easy installation

Digital plug and play installation insuring a very economical and quick installation as well as avoiding costly false alarms.

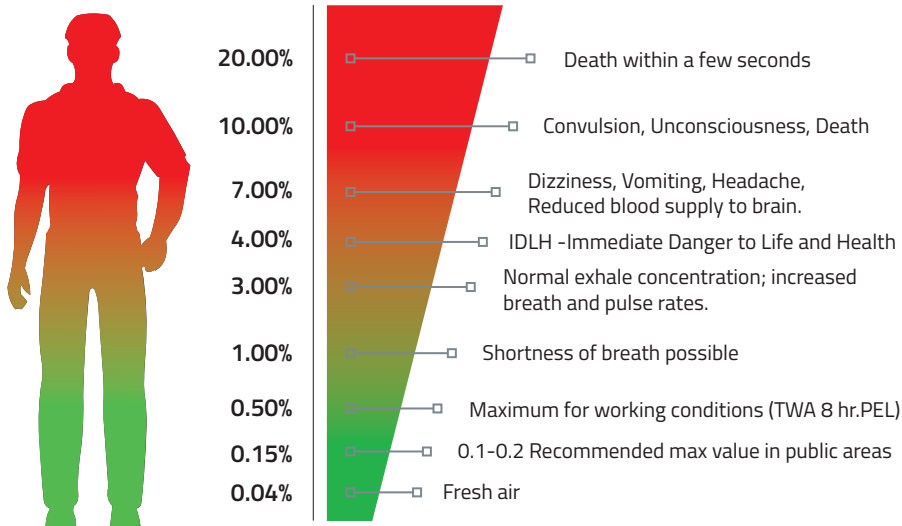


Automatic self calibration

LogiCO2 has a real calibration algorithm. There is never a need to change the calibration under a sensors lifetime under normal conditions. This makes for substantial reductions on maintenance costs.

The **ideal solution** for CO2 detection in working environments

Effect of CO2 on the Human body



Alarm Levels

Preconfigured CO2 Alarm Levels. These can be adjusted to comply with your local legislation.

- Awareness Indication 5000 ppm (0.5%)**
In accordance with 2018 International Fire Code.
- TWA Alarm 5000 ppm (0.5%)**
8-hour Time Weighted Average, in accordance with existing European Directive, National Fire Protection Association 55 and OSHA (American Occupational Safety and Health Association).
- Pre Alarm 15000 ppm (1.5%)**
International and Manufacturers recommendation/old NBIC. A value chosen to enable personnel to be able to repair a leak without endangering them in any way.
- High Alarm 30000 ppm (3.0%)**
In accordance with STEL (Short Time Exposure Limit), NBIC, NFPA and OSHA.



Easily expandible

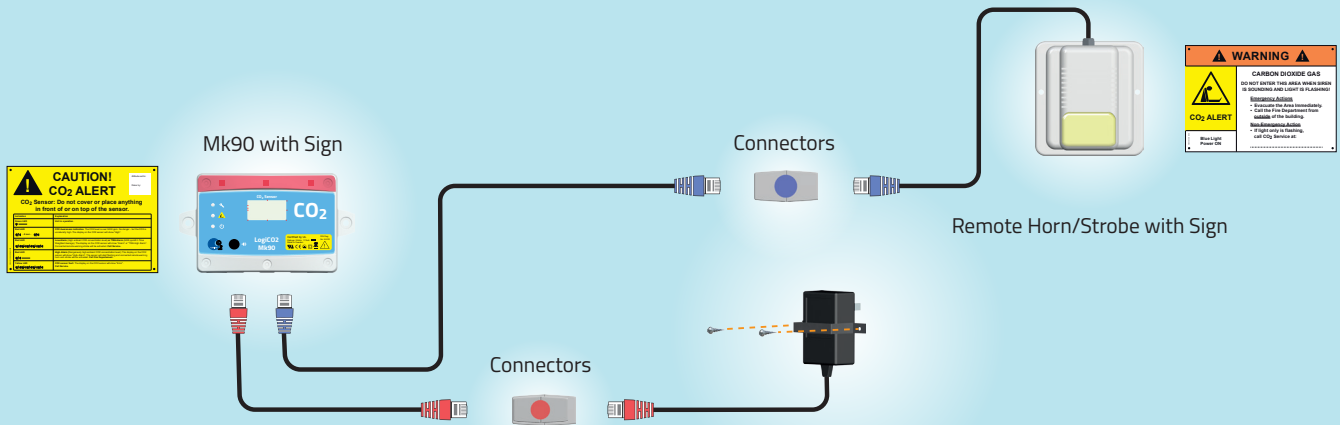
LogiCO2 standard system can be expanded up to 8 sensors which makes it flexible if your needs would change.

Modbus

Digital Communication

The digital RS-485 Modbus protocol used throughout the system simplifies installation and expansion.

Easy installation



Mk90 Stand-Alone CO2 Alarm System Technical specification

Technical data Mk90 Detector

Operating Principle:	Non-dispersive infrared (NDIR)
Measurement range:	0.00 to 6.70% volume CO ₂
Operating temperature range:	0 to +45°C / +32 to +113°F. Only for indoor use. (Sensor works from -20°C / -4°F but values valid only for 0 to +45°C / +32 to +113°F).
Operating humidity:	0-95% RH non condensed
Storage temperature:	-40 to +70°C / -40 to +58°F
Power supply:	24V DC ± 10%
Power consumption:	117 mA peak, 56 mA average
Serial communication:	Modbus protocol over RS485
Output:	Two 24 volt transistor outputs
Automatic calibration:	Several times per year
Dimensions (LxWxD):	90 x 161 x 38 mm / 3.5 x 6.3 x 1.5 inches
Ingression protection:	IP54

Technical data Horn/Strobe

Nominal voltage:	18-24V DC
Average current:	120 mA @ 24V DC supply
Decibel:	110 dB / 1 m
Flash intensity:	115 CD
Flash frequency:	65/min
Ambient temperature:	-5°C to +50°C / +23°F to +122°F
Dimensions (LxWxD):	134 x 115 x 61 mm / 5.3 x 4.5 x 2.4 inches
Ingress protection:	IP65



Manufactured by:

LogiCO2 International AB
www.logico2.com
info@logico2.com
Made in Sweden

DUOTEC A/S
MÅLEINSTRUMENTER TIL MILJØKONTROL

DUOTEC A/S
Herstedøstervej 19 · 2600 Glostrup
Tlf. 4345 9188 · Fax 4343 2330
e-mail: info@duotec.dk
www.duotec.dk